

# PIPETTE

Autoclavable Micro Pipette

## Nichipet® Premium

The 5-year warranty is proof of high durability.

5-year warranty



Enlarged and easy to read counter display for volume setting.

Non corrosive ceramic used in the plunger. (100µL – 10000µL)

Seal ring for the Premium is tested dispensing / aspirating 600,000 times. Non-greased plunger makes it easy to maintain. (2µL – 200µL) The test was conducted by Nichiryo. The test result may vary with condition of usage.

New material used for 4 notch-lock improves its strength, which minimizes the lever shift from the original position.

Materials used for pipette body have high tolerance to solvents and drop impact.

Nozzle top has highly abrasion tolerant. (2µL – 1000µL)

### Specifications

Cat. No	Volume Setting	Volume range(µL)	Increments(µL)	Usable tips		
00-NPP-2	Digital Setting	0.1 – 2	0.002	Any Nichiryo tips can be used as long as the volume matches. For product details, please see p.23–25.		
00-NPP-10		0.5 – 10	0.01			
00-NPP-20		2 – 20	0.02			
00-NPP-100		10 – 100	0.1			
00-NPP-200		20 – 200	0.2			
00-NPP-1000		100 – 1000	1			
00-NPP-5000		1000 – 5000	10			
00-NPP-10000		1000 – 10000	10			
					00-BMT2-Z, 00-BMT2-ZR, 00-BMT2-ZRB	

\*All products are tested before shipment using Premium Tips (P. 23), which are the recommended tips to ensure accuracy.

### Accuracy and Precision

Cat. No	Volume(µL)	Accuracy (%)	Precision (%)	Cat. No	Volume(µL)	Accuracy (%)	Precision (%)
00-NPP-2	0.2	±12.0*	≤6.0*	00-NPP-200	20	±1.0	≤0.5
	1	±5.0	≤2.5		100	±0.8	≤0.3
	2	±3.0	≤1.0		200	±0.8	≤0.2
00-NPP-10	1	±4.0*	≤3.0*	00-NPP-1000	100	±1.0	≤0.5
	5	±1.0	≤1.0		500	±0.8	≤0.3
	10	±1.0	≤0.5		1000	±0.7	≤0.2
00-NPP-20	2	±5.0	≤3.0	00-NPP-5000	1000	±1.0	≤0.3
	10	±1.0	≤1.0		2500	±0.8	≤0.3
	20	±1.0	≤0.4		5000	±0.6	≤0.2
00-NPP-100	10	±2.0	≤1.0	00-NPP-10000	1000	±2.0	≤0.4
	50	±1.0	≤0.3		5000	±0.8	≤0.3
	100	±0.8	≤0.3		10000	±0.4	≤0.2

\*Each accuracy and precision are the values which come from measuring with our compatible tip.  
\*The AC and CV of NPP-2 below 0.2µL and NPP-10 below 1µL depend on the sampling skill and the sampling condition where pipettes are used.

### Pipette stand

● Images of the stands are for reference only. Micropipettes are not part of the package.

#### Multi Rotary Stand

Cat No.	00-MLT-STD3
Storing capacity	Single-channel 6pcs / Multi-channel 3pcs
Material	ABS resin
Size	φ180 (Max diameter) × 312Hmm
Compatible models*	Nichipet EX III Nichipet Premium Nichipet Premium LT* Nichipet EX II* Nichipet EX II MULTI* Nichipet EX Plus II

\* This product has been discontinued.

#### Wall-Mounted Stand

Cat No.	00-NLE-STD
Storing capacity	1pc
Material	ABS resin
Compatible models	Nichipet EX III Nichipet Premium Nichipet Premium LT* Nichipet EX II* Nichipet EX Plus II NICHIRYO Le

● This stand can be attached to a wall using double-sided tape or screws.

\* This product has been discontinued.

[Parts List]



- Since the volume indicator is made of glass, ultraviolet germicidal of the clean bench will not make it cloud.
- From prolonged irradiation, the surface layer of plastic may deteriorate or discolor, but its performance is not affected.

Disposable Tips

## Premium Tip

- The fine design and finishing of the top of the tips reduce the surface tension of liquid and ensure the tip to be residue free.
- The excellent sealing and discharge ability enable high accuracy of pipetting.
- Chemical and heat resistant, for which the advanced material "Highly purified polypropylene" is used.
- Fully autoclavable. ( 121°C for 20 minutes ) Racks can be autoclaved as well. (\*Exceeding the recommended standard for autoclaving may cause deformities)
- The tips being able to be attached directly from the racks avoids dirt and dust from getting in, thus rising the efficiency of the operations.
- DNase/RNase free ( excludes X/Z series )
- UV resistant



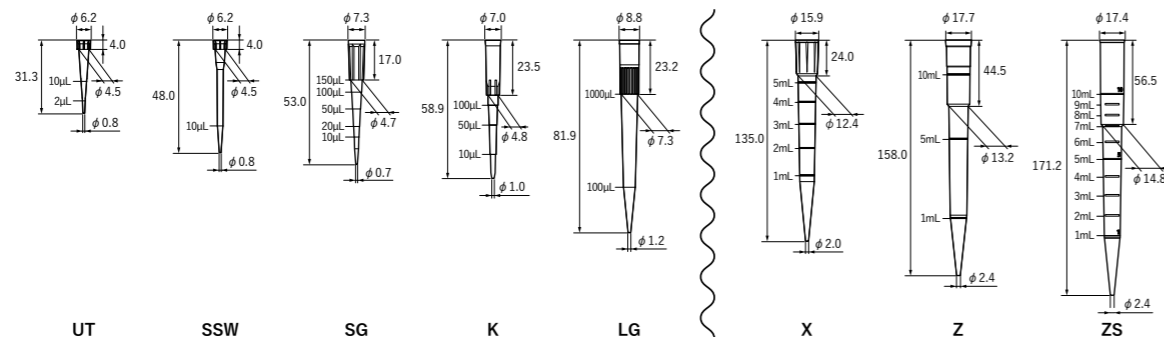
### Specifications

Type	Cat. No.	Specification	Volume range(μL)	Color	Q'ty(box)	Usable models
UT	00-BMT2-UT	Bulk tip	0.1~10	Natural	1,000pcs	NAR-2, 10 / NAR-10M8, 10M12
	00-BMT2-UTWR2	Racked tip			960pcs (96pcs×10%)	NPX3-2, 10 / NPP-2 / NLT-2
	00-BMT2-UTWRB2	Racked tip (sterilized)			960pcs (96pcs×10%)	NPX2-2 / NPLO-NPLO2-2
SSW	00-BMT2-SSW	Bulk tip	0.5~10		1,000pcs	NPX3-2, 10
	00-BMT2-SSWR2	Racked tip			960pcs (96pcs×10%)	NPP-10 / NLT-10 / NPX3-10
	00-BMT2-SSWRB2	Racked tip (sterilized)			960pcs (96pcs×10%)	NPX2-10 / NPLO-NPLO2-10
SG	00-BMT2-SG	Bulk tip	2~200		1,000pcs	NAR-20, 100, 200 / NAR-100M8, 100M12, 200M8, 200M12
	00-BMT2-SGR2	Racked tip			960pcs (96pcs×10%)	NPX2-20, 100, 200 / NPP-20, 100, 200 / NLT-20, 100, 200
	00-BMT2-SGRB2	Racked tip (sterilized)			960pcs (96pcs×10%)	NLE-20, 100, 200 / NPF2-20~200
K	00-BMT2-K	Bulk tip	30~300		1,000pcs	NAR-300M8, 300M12
	00-BMT2-KR2	Racked tip		960pcs (96pcs×10%)	NPM-8K, 12K	
	00-BMT2-KRB2	Racked tip (sterilized)		960pcs (96pcs×10%)		
LG	00-BMT2-LG	Bulk tip	100~1000	1,000pcs	NAR-1000 / NPX3-1000	
	00-BMT2-LGR2	Racked tip		960pcs (96pcs×10%)	NPP-1000 / NLT-1000	
	00-BMT2-LGRB2	Racked tip (sterilized)		960pcs (96pcs×10%)	NPX2-1000 / NPLO2-1000	
X	00-BMT2-X	Bulk tip	1000~5000	200pcs	NAR-5000 / NPX3-5000	
	00-BMT2-XR	Racked tip		100pcs (50pcs×2%)	NPP-5000	
	00-BMT2-XRB	Racked tip (sterilized)		100pcs (50pcs×2%)	NPX2-5000	
Z	00-BMT2-Z	Bulk tip	1000~10000	200pcs	NPP-10000	
	00-BMT2-ZR	Racked tip		80pcs (40pcs×2%)	NPX2-10000	
	00-BMT2-ZRB	Racked tip (sterilized)		80pcs (40pcs×2%)	NPLO-NPLO2-10000	
ZS	00-BMT2-ZS	Bulk tip	1000~10000	200pcs		
	00-BMT2-ZSR	Racked tip		80pcs (40pcs×2%)	NAR-10000 / NPX3-10000	
	00-BMT2-ZSRB	Racked tip (sterilized)		80pcs (40pcs×2%)		

\*Usable models refer to the micropipettes calibrated by our company using this tips. For compatibility with micropipettes from other manufacturers, please contact us.  
\*The tips are available for pipette models with in the volume range of the tip mentioned above.

### TIP

(measure: mm)



Standard Tip

## NichimateAQUA Tip



### Bulk tip, Refill tip

- The N10-RF and N200-RF are compatible with the following racks: N10RK, N10LRK, and N200RK.

Type	Length	Cat No.	Specification	Q'ty(box)
10 μL	31.3mm	00-AQA-N10	Bulk tip	1,000pcs
		00-AQA-N10-RF	Refill tip	960pcs (96pcs×10stacks)
10 μL (Long)	48.0mm	00-AQA-N10L	Bulk tip	1,000pcs
200 μL	53.0mm	00-AQA-N200	Bulk tip	1,000pcs
		00-AQA-N200-RF	Refill tip	960pcs (96pcs×5stacks×2)
1000 μL	81.9mm	00-AQA-N1000	Bulk tip	1,000pcs
		00-AQA-N1000-RF	Refill tip	960pcs (96pcs×5stacks×2)

### Rack

- (Made of Transparent polycarbonate)
- This rack is exclusively designed for Nichimate Aqua Tips and is made of polycarbonate. Tips are not included.

Type	Cat No.	Q'ty(box)
10μL	00-AQA-N10RK (Orange ●)	5 pcs.
10μL (Long)	00-AQA-N10LRK (Red ●)	
200μL	00-AQA-N200RK (Yellow ●)	
1000μL	00-AQA-N1000RK (Blue ●)	

Standard Tip (Sterilized Raked Tip)

## NichimateAqua Marine Tip series



	Type	Length	Cat No.	Specification	Q'ty(box)
Non-Filtered	10 μL	32mm	00-MRN-10RB	Racked tip	960pcs (96pcs×10%)
	10 μL (Long)	46mm	00-MRN-10LRB		
	200 μL	51mm	00-MRN-200RB		
	1000 μL	88mm	00-MRN-1000RB		
Filtered	10 μL	32mm	00-MRN-F10RB		
	10 μL (Long)	46mm	00-MRN-F10LRB		
	20 μL	51mm	00-MRN-F20RB		
	100 μL		00-MRN-F100RB		
	200 μL		00-MRN-F200RB		
	300 μL		00-MRN-F300RB		
	1000 μL	88mm	00-MRN-F1000RB		

\* This product is not recommended for repeated use with autoclave sterilization.

Tips with Excellent Liquid Drainage

## Low Retention Tip



- Standard tips with high transparency and excellent liquid drainage.
- Especially effective for handling viscous liquids and surfactants that generate foam during dispensing.
- Ideal for preparing PCR reagents due to the above features.
- Bulk and Refill are non-sterile; Rack tips are provided sterile.
- DNase/RNase/Pyrogen Free.
- For research use only. Not for use in medical or clinical applications.

### Specifications

Specification	Type	Length	Cat No.	Q'ty(box)
Bulk tip	10 μL	31.1mm	00-LRT-10	1,000pcs
	10 μL (Long)	45.8mm	00-LRT-10L	
	200 μL	50.8mm	00-LRT-200	
	300 μL	55.9mm	00-LRT-300	
Refill tip	10 μL	31.1mm	00-LRT-10-RF	960pcs (96pcs × 5stacks × 2)
	10 μL (Long)	45.8mm	00-LRT-10L-RF	
	200 μL	50.8mm	00-LRT-200-RF	
	300 μL	55.9mm	00-LRT-300-RF	768pcs (96pcs × 4stacks × 2)
Racked tip	10 μL	31.1mm	00-LRT-10RB	960pcs (96pcs × 10 <sup>c/s</sup> )
	10 μL (Long)	45.8mm	00-LRT-10LRB	
	200 μL	50.8mm	00-LRT-200RB	192pcs (96pcs × 2 <sup>c/s</sup> )
	200 μL (Long)	91.1mm	00-LRT-200LRB	
	300 μL	55.9mm	00-LRT-300RB	960pcs (96pcs × 10 <sup>c/s</sup> )
1250 μL	90.2mm	00-LRT-1250RB		

• The racks can be autoclaved (121°C, 20 minutes); however, but should be replaced if deformation or discoloration occurs (Nichiryo does not guarantee that deformation or discoloration will not occur). • Bulk and refill packages cannot be autoclaved as is. Please transfer the tips to a compatible rack, glass container, or similar ones before autoclaving. • Autoclaving should be performed according to your laboratory manual or under the guidance of an experienced person.

Filtered Tips with Excellent Liquid Drainage

## Low Retention Filtered Tip

- Features a hydrophobic HDPE filter to minimize aerosol contamination inside the micropipette during aspiration.
- DNase/RNase/Pyrogen Free.
- For research use only. Not for use in medical or clinical applications.

### Specifications

Type	Length	Cat No.	Specification	Q'ty(box)
10 μL	31.1mm	00-LRT-F10RB	Racked tip (sterilized)	960pcs (96pcs × 10 <sup>c/s</sup> )
10 μL(Long)	45.8mm	00-LRT-F10LRB		
20 μL	50.8mm	00-LRT-F20RB		
100 μL		00-LRT-F100RB		
200 μL	91.1mm	00-LRT-F200RB		192pcs (96pcs × 2 <sup>c/s</sup> )
200 μL(Long)		00-LRT-F200LRB		
300 μL	55.9mm	00-LRT-F300RB		960pcs (96pcs × 10 <sup>c/s</sup> )
1250 μL	90.2mm	00-LRT-F1250RB		

• The racks can be autoclaved (121°C, 20 minutes), but should be replaced if warped or discolored.

### Pipette Stand



Cat. No ..... 00-NAR-STD  
 Storing capacity ... 8pcs  
 Compatible models ... Nichipet Air  
 Nichipet Air -Multi Channel-  
 Nichipet Premium  
 Nichipet Premium LT\*  
 NICHIRYO Le  
 • Can be mounted on the stand with attaching a tip (only for Nichipet Air).

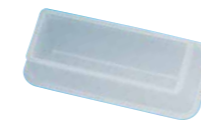


Cat. No ..... 00-MLT-STD3  
 Storing capacity ... 6pcs  
 Compatible models ... Nichipet EX III  
 Nichipet Premium  
 Nichipet premium LT\*  
 Nichipet EX II\*  
 Nichipet EX Plus II  
 Nichiryo Le  
 Nichipet EX II MULTI\*



Cat. No ..... 00-NLE-STD (ABS)  
 Storing capacity ... 1pc  
 Compatible models ... Nichipet EX III  
 Nichipet Premium  
 Nichipet premium LT\*  
 Nichipet EX II\*  
 Nichipet EX Plus II  
 Nichiryo Le

### Tray



Cat. No ..... 00-88-TY  
 Q'ty ..... 50pcs  
 Compatible models ... Nichipet Air -Multi Channel-  
 Nichipet EX II MULTI\*  
 MODEL 8800\*

### Volume adjustment tool



Cat. No ..... 00-NAR-AT (for NAR)  
 00-NX3-AT (for NPX3)  
 Q'ty ..... 1pc

### Tube Opener



Cat. No ..... 00-NTO-001  
 Q'ty ..... 3pcs  
 Compatible models ... Nichipet Premium  
 Nichipet premium LT\*  
 Nichipet EX II\*  
 Nichipet EX Plus II

### Grease



Cat. No ..... 00-NAR-GRS (for NAR)  
 00-NX3-GRS (for NPX3)  
 00-N3-0711A (for NLE)  
 00-NLT-3400000 (for NLT\*)  
 00-NPM-3400000 (for NPM\*)  
 Q'ty ..... 1pc

### Filter

For NPP-1000  
 Cat. No 00-NP-0601000  
 Q'ty ..... 10pcs



For NPLO II-1000  
 Cat. No ..... 00-LO2-0601000  
 Q'ty ..... 10pcs



For NPX II-1000  
 Cat. No 00-NX2-0601000  
 Q'ty ..... 10pcs



For NPP,NPX II,NPLO II-5000,10000  
 Cat. No ... 00-NX2-0615000  
 Q'ty ..... 100pcs



For NAR-5000,10000  
 Cat. No ... 00-NAR-F15000  
 Q'ty ..... 10pcs



For NPX III-1000,  
 5000,10000  
 Cat. No ..... 00-NX3-F1000,  
 00-NX3-F15000  
 Q'ty ..... 10pcs

