

PIPETTE

Light & Ergonomic Pipette

NICHIRYO *Le*

Light weight and easy to use even for first-time users.

- The enlarged and stream lined grip fits well with your fingers and can be kept firmly in hand and used with much less stress.
- The user-friendly and enlarged push-button can be pressed easily and used for a long time with less risk of RSI.
- The enlarged push button makes it easy to set the volume and there is no need to lock the dial for immediate operation.



[Parts List]



Specifications

| Cat. No | Volume setting | Volume range(μL) | Increments (μL) | Usable tips |
|-------------|-----------------|------------------|-----------------|--|
| 00-NLE-10 | Digital setting | 0.5 – 10 | 0.02 | Any Nichiryo tips can be used as long as the volume matches. For product details, please see p.23–25. |
| 00-NLE-20 | | 2 – 20 | 0.02 | |
| 00-NLE-100 | | 10 – 100 | 0.2 | |
| 00-NLE-200 | | 20 – 200 | 0.2 | |
| 00-NLE-1000 | | 100 – 1000 | 2 | |

*All products are tested before shipment using Premium Tips (P. 23), which are the recommended tips to ensure accuracy.

Accuracy and Precision

| Cat. No | Volume(μL) | Accuracy(%) | Precision(%) | Cat. No | Volume(μL) | Accuracy(%) | Precision(%) |
|------------|------------|-------------|--------------|--|------------|-------------|--------------|
| 00-NLE-10 | 1 | ±6.0* | ≤5.0* | 00-NLE-200 | 20 | ±1.2 | ≤1.0 |
| | 5 | ±2.0 | ≤2.0 | | 100 | ±1.0 | ≤0.8 |
| | 10 | ±1.2 | ≤0.8 | | 200 | ±0.8 | ≤0.6 |
| 00-NLE-20 | 2 | ±5.0 | ≤3.0 | 00-NLE-1000 | 100 | ±1.2 | ≤0.8 |
| | 10 | ±2.0 | ≤2.0 | | 500 | ±1.0 | ≤0.6 |
| | 20 | ±1.2 | ≤0.8 | | 1000 | ±0.7 | ≤0.5 |
| 00-NLE-100 | 10 | ±2.0 | ≤1.0 | *Each accuracy and precision are the values which come from measuring with our compatible tip. *The AC and CV of NLE-10 below 1 μL depend on the sampling skill and the sampling condition where pipettes are used. | | | |
| | 50 | ±1.2 | ≤0.8 | | | | |
| | 100 | ±1.0 | ≤0.6 | | | | |

Glass Tip Pipette

Nichipet® ECO

Eco-friendly glass tips suitable for "Environmental Hormone" research.

- The accuracy and precision of a micropipette with the stability and reliability of glass tips.
- The glass tip enables bias free liquid handling for endocrine disruptor's analysis.
- Four different sizes covering a wide volume range. (20μL – 10000μL)
- Glass tip is secured to the unit with a double O-ring design.
- Comes with a PTFE nozzle and ceramic piston.



Glass Tip



[Specifications]



Specifications

| Cat. No | Volume range(μL) | Increment(μL) | Accuracy(%) | Precision(%) | Usable tips |
|-------------|------------------|---------------|-------------|--------------|-------------|
| 00-NPC-200 | 20 – 200 | 0.2 | ±6.0 – ±3.0 | ≤6.0 – ≤3.0 | Glass Tip S |
| 00-NPC-1000 | 100 – 1000 | 1.0 | ±5.0 – ±3.0 | ≤5.0 – ≤3.0 | Glass Tip L |
| 00-NPC-5000 | 1000 – 5000 | 10.0 | ±5.0 – ±3.0 | ≤5.0 – ≤3.0 | Glass Tip X |
| 00-NPC-10ML | 1000 – 10000 | 50.0 | ±6.0 – ±3.0 | ≤6.0 – ≤3.0 | Glass Tip Z |

● Glass tips

| Cat. No | Volume range(μL) | Q'ty(box) |
|----------|------------------|-----------|
| 00-GLT-S | 20 – 200 | 10 |
| 00-GLT-L | 100 – 1000 | 10 |
| 00-GLT-X | 1000 – 5000 | 10 |
| 00-GLT-Z | 1000 – 10000 | 10 |

Disposable Tips

Premium Tip

- The fine design and finishing of the top of the tips reduce the surface tension of liquid and ensure the tip to be residue free.
- The excellent sealing and discharge ability enable high accuracy of pipetting.
- Chemical and heat resistant, for which the advanced material "Highly purified polypropylene" is used.
- Fully autoclavable. (121°C for 20 minutes) Racks can be autoclaved as well. (*Exceeding the recommended standard for autoclaving may cause deformities)
- The tips being able to be attached directly from the racks avoids dirt and dust from getting in, thus rising the efficiency of the operations.
- DNase/RNase free (excludes X/Z series)
- UV resistant



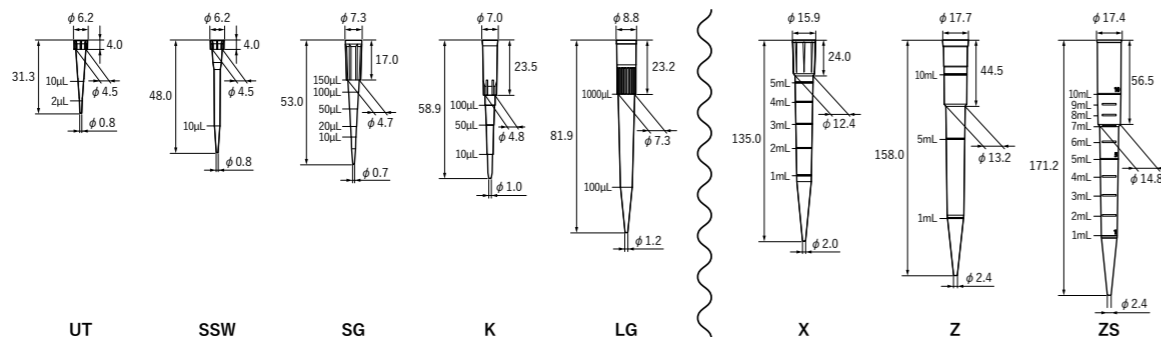
Specifications

| Type | Cat. No. | Specification | Volume range(μL) | Color | Q'ty(box) | Usable models |
|------|----------------|-------------------------|------------------|--------------------|------------------------|---|
| UT | 00-BMT2-UT | Bulk tip | 0.1~10 | Natural | 1,000pcs | NAR-2, 10 / NAR-10M8, 10M12 |
| | 00-BMT2-UTWR2 | Racked tip | | | 960pcs (96pcs×10%) | NPX3-2, 10 / NPP-2 / NLT-2 |
| | 00-BMT2-UTWRB2 | Racked tip (sterilized) | | | 960pcs (96pcs×10%) | NPX2-2 / NPLO-NPLO2-2 |
| SSW | 00-BMT2-SSW | Bulk tip | 0.5~10 | | 1,000pcs | NPX3-2, 10 |
| | 00-BMT2-SSWR2 | Racked tip | | | 960pcs (96pcs×10%) | NPP-10 / NLT-10 / NPX3-10 |
| | 00-BMT2-SSWRB2 | Racked tip (sterilized) | | | 960pcs (96pcs×10%) | NPX2-10 / NPLO-NPLO2-10 |
| SG | 00-BMT2-SG | Bulk tip | 2~200 | | 1,000pcs | NAR-20, 100, 200 / NAR-100M8, 100M12, 200M8, 200M12 |
| | 00-BMT2-SGR2 | Racked tip | | | 960pcs (96pcs×10%) | NPX2-20, 100, 200 / NPP-20, 100, 200 / NLT-20, 100, 200 |
| | 00-BMT2-SGRB2 | Racked tip (sterilized) | | | 960pcs (96pcs×10%) | NLE-20, 100, 200 / NPF2-20~200 |
| K | 00-BMT2-K | Bulk tip | 30~300 | | 1,000pcs | NAR-300M8, 300M12 |
| | 00-BMT2-KR2 | Racked tip | | 960pcs (96pcs×10%) | NPM-8K, 12K | |
| | 00-BMT2-KRB2 | Racked tip (sterilized) | | 960pcs (96pcs×10%) | | |
| LG | 00-BMT2-LG | Bulk tip | 100~1000 | 1,000pcs | NAR-1000 / NPX3-1000 | |
| | 00-BMT2-LGR2 | Racked tip | | 960pcs (96pcs×10%) | NPP-1000 / NLT-1000 | |
| | 00-BMT2-LGRB2 | Racked tip (sterilized) | | 960pcs (96pcs×10%) | NPX2-1000 / NPLO2-1000 | |
| X | 00-BMT2-X | Bulk tip | 1000~5000 | 200pcs | NAR-5000 / NPX3-5000 | |
| | 00-BMT2-XR | Racked tip | | 100pcs (50pcs×2%) | NPP-5000 | |
| | 00-BMT2-XRB | Racked tip (sterilized) | | 100pcs (50pcs×2%) | NPX2-5000 | |
| Z | 00-BMT2-Z | Bulk tip | 1000~10000 | 200pcs | NPP-10000 | |
| | 00-BMT2-ZR | Racked tip | | 80pcs (40pcs×2%) | NPX2-10000 | |
| | 00-BMT2-ZRB | Racked tip (sterilized) | | 80pcs (40pcs×2%) | NPLO-NPLO2-10000 | |
| ZS | 00-BMT2-ZS | Bulk tip | 1000~10000 | 200pcs | | |
| | 00-BMT2-ZSR | Racked tip | | 80pcs (40pcs×2%) | NAR-10000 / NPX3-10000 | |
| | 00-BMT2-ZSRB | Racked tip (sterilized) | | 80pcs (40pcs×2%) | | |

*Usable models refer to the micropipettes calibrated by our company using this tips. For compatibility with micropipettes from other manufacturers, please contact us.
*The tips are available for pipette models with in the volume range of the tip mentioned above.

TIP

(measure: mm)



Standard Tip

NichimateAQUA Tip



Bulk tip, Refill tip

- The N10-RF and N200-RF are compatible with the following racks: N10RK, N10LRK, and N200RK.

| Type | Length | Cat. No. | Specification | Q'ty(box) |
|--------------|--------|-----------------|---------------|--------------------------|
| 10 μL | 31.3mm | 00-AQA-N10 | Bulk tip | 1,000pcs |
| | | 00-AQA-N10-RF | Refill tip | 960pcs (96pcs×10stacks) |
| 10 μL (Long) | 48.0mm | 00-AQA-N10L | Bulk tip | 1,000pcs |
| 200 μL | 53.0mm | 00-AQA-N200 | Bulk tip | 1,000pcs |
| | | 00-AQA-N200-RF | Refill tip | 960pcs (96pcs×5stacks×2) |
| 1000 μL | 81.9mm | 00-AQA-N1000 | Bulk tip | 1,000pcs |
| | | 00-AQA-N1000-RF | Refill tip | 960pcs (96pcs×5stacks×2) |

Rack

(Made of Transparent polycarbonate)

- This rack is exclusively designed for Nichimate Aqua Tips and is made of polycarbonate. Tips are not included.

| Type | Cat. No. | Q'ty(box) |
|-------------|--------------------------|-----------|
| 10μL | 00-AQA-N10RK (Orange ●) | 5 pcs. |
| 10μL (Long) | 00-AQA-N10LRK (Red ●) | |
| 200μL | 00-AQA-N200RK (Yellow ●) | |
| 1000μL | 00-AQA-N1000RK (Blue ●) | |

Standard Tip (Sterilized Raked Tip)

NichimateAqua Marine Tip series



| | Type | Length | Cat. No. | Specification | Q'ty(box) |
|--------------|--------------|--------|----------------|---------------|--------------------|
| Non-Filtered | 10 μL | 32mm | 00-MRN-10RB | Racked tip | 960pcs (96pcs×10%) |
| | 10 μL (Long) | 46mm | 00-MRN-10LRB | | |
| | 200 μL | 51mm | 00-MRN-200RB | | |
| | 1000 μL | 88mm | 00-MRN-1000RB | | |
| Filtered | 10 μL | 32mm | 00-MRN-F10RB | | |
| | 10 μL (Long) | 46mm | 00-MRN-F10LRB | | |
| | 20 μL | 51mm | 00-MRN-F20RB | | |
| | 100 μL | | 00-MRN-F100RB | | |
| | 200 μL | | 00-MRN-F200RB | | |
| | 300 μL | | 00-MRN-F300RB | | |
| | 1000 μL | 88mm | 00-MRN-F1000RB | | |

* This product is not recommended for repeated use with autoclave sterilization.

Tips with Excellent Liquid Drainage

Low Retention Tip



- Standard tips with high transparency and excellent liquid drainage.
- Especially effective for handling viscous liquids and surfactants that generate foam during dispensing.
- Ideal for preparing PCR reagents due to the above features.
- Bulk and Refill are non-sterile; Rack tips are provided sterile.
- DNase/RNase/Pyrogen Free.
- For research use only. Not for use in medical or clinical applications.

Specifications

| Specification | Type | Length | Cat No. | Q'ty(box) |
|---------------|---------------|--------|----------------|--|
| Bulk tip | 10 μL | 31.1mm | 00-LRT-10 | 1,000pcs |
| | 10 μL (Long) | 45.8mm | 00-LRT-10L | |
| | 200 μL | 50.8mm | 00-LRT-200 | |
| | 300 μL | 55.9mm | 00-LRT-300 | |
| | 1250 μL | 90.2mm | 00-LRT-1250 | |
| Refill tip | 10 μL | 31.1mm | 00-LRT-10-RF | 960pcs (96pcs × 5stacks × 2) |
| | 10 μL (Long) | 45.8mm | 00-LRT-10L-RF | |
| | 200 μL | 50.8mm | 00-LRT-200-RF | |
| | 300 μL | 55.9mm | 00-LRT-300-RF | 768pcs (96pcs × 4stacks × 2) |
| | 1250 μL | 90.2mm | 00-LRT-1250-RF | |
| Racked tip | 10 μL | 31.1mm | 00-LRT-10RB | 960pcs (96pcs × 10 ^{c/s}) |
| | 10 μL (Long) | 45.8mm | 00-LRT-10LRB | |
| | 200 μL | 50.8mm | 00-LRT-200RB | 192pcs (96pcs × 2 ^{c/s}) |
| | 200 μL (Long) | 91.1mm | 00-LRT-200LRB | |
| | 300 μL | 55.9mm | 00-LRT-300RB | 960pcs (96pcs × 10 ^{c/s}) |
| | 1250 μL | 90.2mm | 00-LRT-1250RB | |

• The racks can be autoclaved (121°C, 20 minutes); however, but should be replaced if deformation or discoloration occurs (Nichiryo does not guarantee that deformation or discoloration will not occur). • Bulk and refill packages cannot be autoclaved as is. Please transfer the tips to a compatible rack, glass container, or similar ones before autoclaving. • Autoclaving should be performed according to your laboratory manual or under the guidance of an experienced person.

Filtered Tips with Excellent Liquid Drainage

Low Retention Filtered Tip

- Features a hydrophobic HDPE filter to minimize aerosol contamination inside the micropipette during aspiration.
- DNase/RNase/Pyrogen Free.
- For research use only. Not for use in medical or clinical applications.

Specifications

| Type | Length | Cat No. | Specification | Q'ty(box) |
|---------------|--------|----------------|----------------------------|--|
| 10 μL | 31.1mm | 00-LRT-F10RB | Racked tip (sterilized) | 960pcs (96pcs × 10 ^{c/s}) |
| 10 μL (Long) | 45.8mm | 00-LRT-F10LRB | | |
| 20 μL | 50.8mm | 00-LRT-F20RB | | |
| 100 μL | | 00-LRT-F100RB | | |
| 200 μL | 91.1mm | 00-LRT-F200RB | | |
| 200 μL (Long) | | 00-LRT-F200LRB | | |
| 300 μL | 55.9mm | 00-LRT-F300RB | | 192pcs (96pcs × 2 ^{c/s}) |
| 1250 μL | 90.2mm | 00-LRT-F1250RB | | |

• The racks can be autoclaved (121°C, 20 minutes), but should be replaced if warped or discolored.

Pipette Stand



Cat. No 00-NAR-STD
 Storing capacity ... 8pcs
 Compatible models ... Nichipet Air
 Nichipet Air -Multi Channel-
 Nichipet Premium
 Nichipet Premium LT*
 NICHIRYO Le
 • Can be mounted on the stand with attaching a tip (only for Nichipet Air).

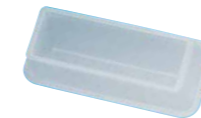


Cat. No 00-MLT-STD3
 Storing capacity ... 6pcs
 Compatible models ... Nichipet EX III
 Nichipet Premium
 Nichipet premium LT*
 Nichipet EX II*
 Nichipet EX Plus II
 Nichiryo Le
 Nichipet EX II MULTI*



Cat. No 00-NLE-STD (ABS)
 Storing capacity ... 1pc
 Compatible models ... Nichipet EX III
 Nichipet Premium
 Nichipet premium LT*
 Nichipet EX II*
 Nichipet EX Plus II
 Nichiryo Le

Tray



Cat. No 00-88-TY
 Q'ty 50pcs
 Compatible models ... Nichipet Air -Multi Channel-
 Nichipet EX II MULTI*
 MODEL 8800*

Volume adjustment tool



Cat. No 00-NAR-AT (for NAR)
 00-NX3-AT (for NPX3)
 Q'ty 1pc

Tube Opener



Cat. No 00-NTO-001
 Q'ty 3pcs
 Compatible models ... Nichipet Premium
 Nichipet premium LT*
 Nichipet EX II*
 Nichipet EX Plus II

Grease



Cat. No 00-NAR-GRS (for NAR)
 00-NX3-GRS (for NPX3)
 00-N3-0711A (for NLE)
 00-NLT-3400000 (for NLT*)
 00-NPM-3400000 (for NPM*)
 Q'ty 1pc

Filter

For NPP-1000

Cat. No 00-NP-0601000
 Q'ty 10pcs



For NPLO II-1000

Cat. No 00-LO2-0601000
 Q'ty 10pcs



For NPX II-1000

Cat. No 00-NX2-0601000
 Q'ty 10pcs



For NPP,NPX II,NPLO II-5000,10000

Cat. No ... 00-NX2-0615000
 Q'ty 100pcs



For NAR-5000,10000

Cat. No ... 00-NAR-F15000
 Q'ty 10pcs



For NPX III-1000, 5000,10000

Cat. No 00-NX3-F1000,
 00-NX3-F15000
 Q'ty 10pcs

