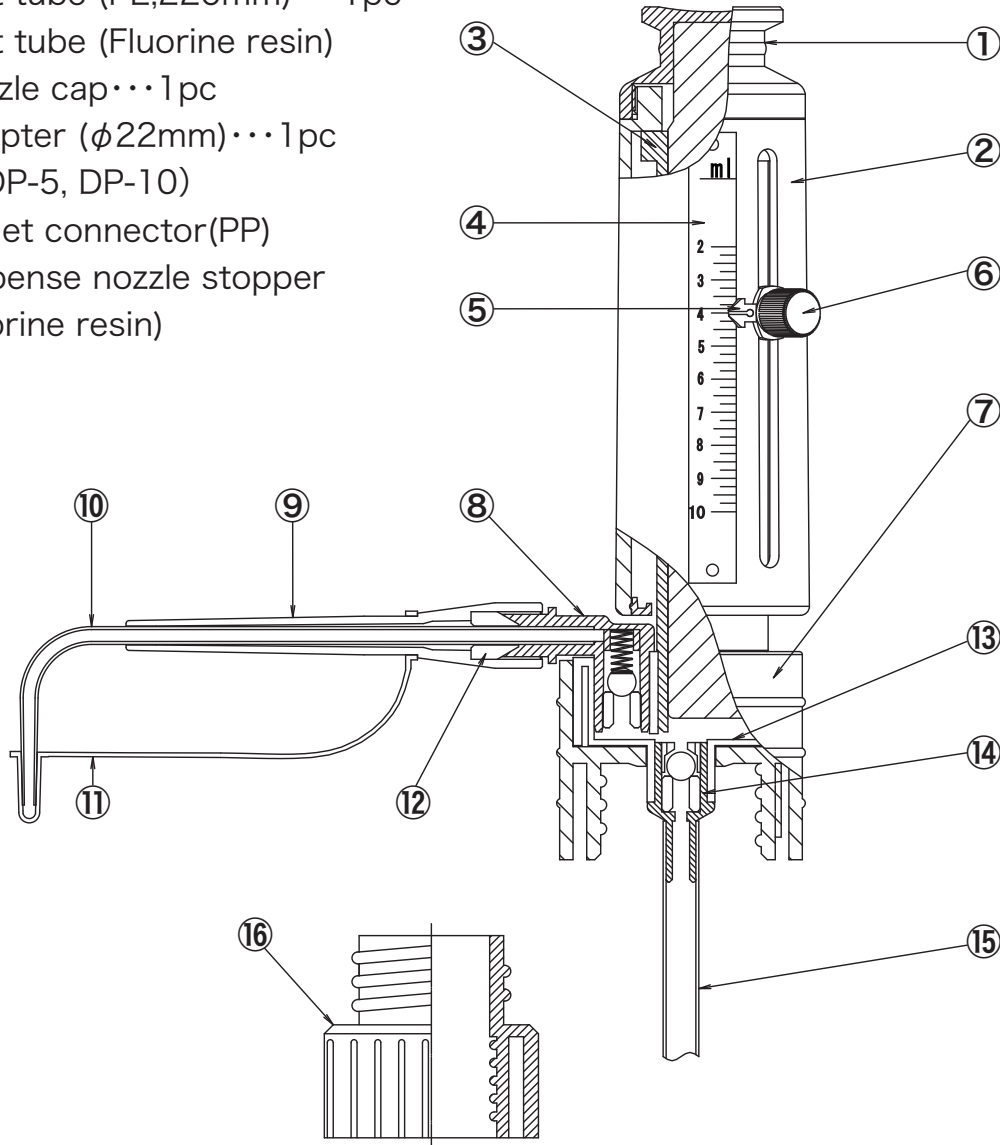


Standard component

- Nozzle...1pc
- Inlet tube (PE,220mm)...1pc
- Inlet tube (Fluorine resin)
- Nozzle cap...1pc
- Adapter (φ22mm)...1pc
(ex.DP-5, DP-10)
- Outlet connector(PP)
- Dispense nozzle stopper
(Fluorine resin)



- ① Plunger assembly (Ceramic)
- ② Sleeve (PP)
- ③ Cylinder (Borosilicate glass)
- ④ Scale plate (SUS)
- ⑤ Volume indicator (PP)
- ⑥ Volume setting screw (Chrome plated brass)
- ⑦ Cap (PP)
- ⑧ Outlet valve set (Fluorine resin, ceramic, platinum)
- ⑨ Dispense nozzle holder (PP)
- ⑩ Dispense nozzle (Fluorine resin)
- ⑪ Dispense nozzle cap (PP)
- ⑫ Dispense nozzle stopper (Fluorine resin)
- ⑬ Cylinder and valve set (Fluorine resin)
- ⑭ Inlet valve set (Fluorine resin, ceramic)
- ⑮ Inlet tube (Fluorine resin)
- ⑯ Adapter (PP)